



# 6NHTA-F

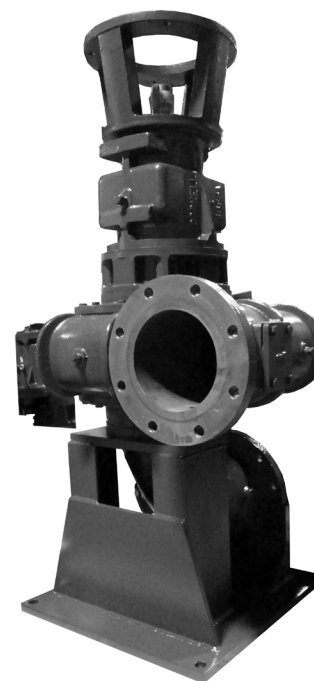
**\*NOW STOCKED IN CD4MCu**

### AVAILABLE MOUNTING CONFIGURATIONS

6NHTA-F FRAME MOUNT  
 6NHTA-RP-F REDI-PRIME FRAME MOUNT  
 6NHTA-EM ENGINE MOUNT  
 6NHTA-RP-EM REDI-PRIME ENGINE MOUNT  
 6NHTA-VC VERTICAL COUPLED  
 6NHTA-VF VERTICAL FRAME MOUNT

### OPERATING LEVELS

<b>MIN FLOW</b>	400 GPM	90.8 m <sup>3</sup> /h
<b>MAX FLOW</b>	2800 GPM	635.95 m <sup>3</sup> /h
<b>DISCHARGE SIZE</b>	6"	152.4 mm
<b>SUCTION SIZE</b>	6"	152.4 mm
<b>SOLIDS HANDLING</b>	3"	76.2 mm
<b>MAX SPEED</b>	1800 RPM	1800 RPM
<b>SHUT-OFF HEAD</b>	295'	71.63 m
<b>BEP HEAD</b>	170'	52 m
<b>BEP FLOW</b>	2529 GPM	574 m <sup>3</sup> /h
<b>BEP PERCENT</b>	83%	83%



A typical picture of the pump is shown. Please contact Cornell Pump Company for further details. All information is approximate and for general guidance only.

PARTS	STANDARD MATERIAL (ALL IRON)	CD4MCU
<b>WEAR RING</b>	CAST IRON	CD4MCU
<b>IMPELLER</b>	CAST IRON	CD4MCU
<b>VOLUTE</b>	CAST IRON	CD4MCU
<b>SHAFT</b>	STRESSPROOF STEEL	17-4PH
<b>SHAFT SLEEVE</b>	416 STAINLESS STEEL	CD4MCU
<b>BACKPLATE</b>	CAST IRON	CD4MCU
<b>MECHANICAL SEAL</b>	TUNGSTEN CARBIDE VS. SILICON CARBIDE	TUNGSTEN CARBIDE VS. SILICON CARBIDE
<b>BEARING FRAME</b>	CAST IRON	CAST IRON

The 6NHTA pump is designed with Cornell's renowned quality and durability. It features a 6" discharge, 6" suction, and enclosed impeller. Available in All Iron or CD4MCu materials. Cornell's patented Cycloseal® design is standard, with a Type 1 or 2 single mechanical seal with Buna-N elastomers, stainless steel hardware and tungsten carbide vs. silicon carbide seal faces for abrasion resistance.

- Cycloseal is Standard
- Heavy Duty Bearing Frame
- Robust Construction
- Two year warranty
- High efficiency
- Can be fitted with cutters without external dimension change



AGRICULTURE



FOOD



INDUSTRIAL



MINING



MUNICIPAL



OIL & GAS

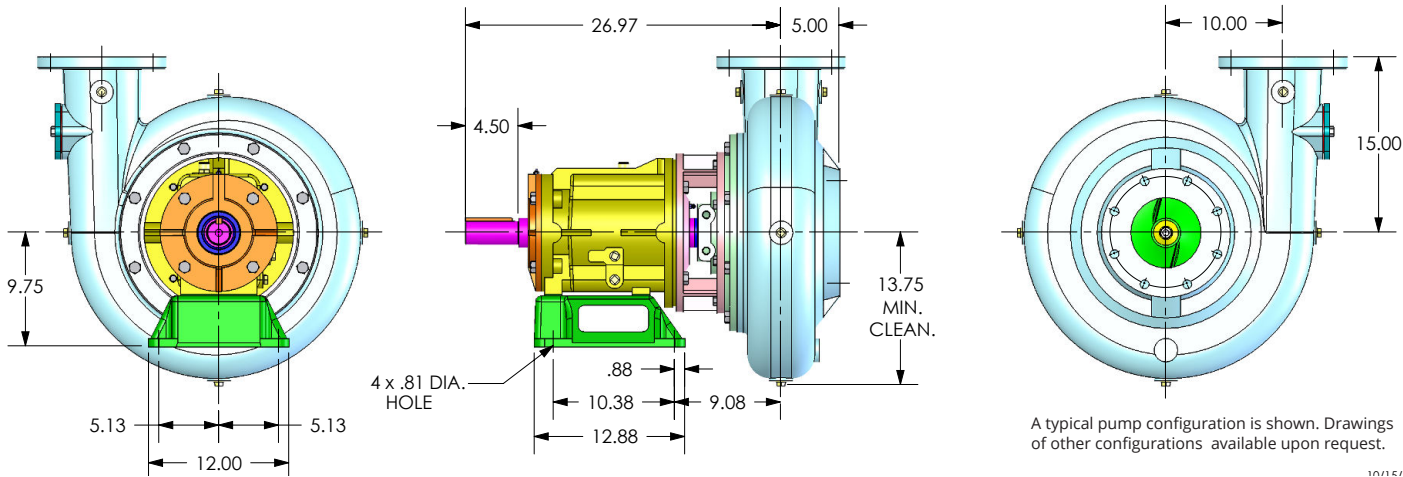
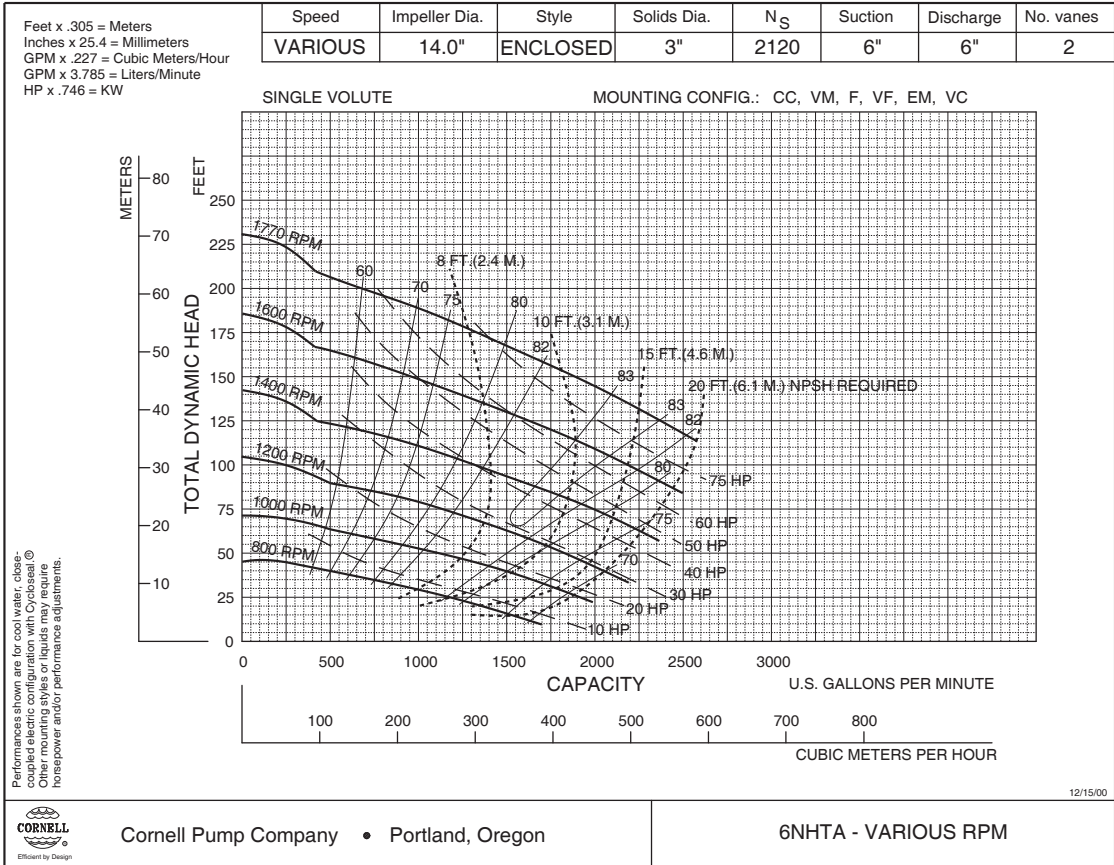


REFRIGERATION



RENTAL

# 6NHTA-F



DS6NHTAF-103114